



SWAN FARM MACHINERY

NEWSLETTER No. 30 – 14/01/2013

Ph: 08 8575 1588

www.swanfm.com.au

Fax: 08 8575 1454

WELCOME IN 2013 WITH SOME GREAT MACHINERY DEALS

New Holland Hay and Harvest programmes have just been released.
Early order programmes still available for many of our lines.

We are authorized dealers for:

NEW HOLLAND – MORRIS – GASON – DUNCAN AG – MACDON – HORWOOD BAGSHAW – JOHN SHEARER – CHALLENGE
HARDI – SUPERIOR – SIMPLICITY – K-LINE – BARE-CO – AGMASTER – PRIMARY SALES – AGPOINT

Talk to one of our salesmen about your machinery needs in 2013



Bevan Swan

bevan@swanfm.com.au

0438 751 588



Geoff Biddle

sales@swanfm.com.au

0400 151 323

K-LINE TRASHCUTTER STILL AVAILABLE FOR HIRE

- 40ft Machine with 130mm Coulter spacing
- Hydraulic Adjustable pressure
- Delivery and instruction on farm
- Avoid the need to burn stubble
- Ability to incorporate chemicals when set on an angle.

Many of our customers have had great success with this machine over the past couple of years.



Only \$9.90/Hectare inc GST

Contact Bevan on 08 8575 1588 if you are interested more information or to book this machine.

BEFORE YOU START SUMMER SPRAYING

Have you done a preseason check on your sprayer?

Now is the time to look at your machine and order any parts you may need. Ordering before you require the part can save you \$ on freight! We do a weekly Hardi order which is freight free into store.

Have you looked at your nozzles lately?

Talk to us today about how to jug test your nozzles to get an accurate indication of if they need to be replaced. If your current nozzle is releasing 8-10% more or less than it should be, it is recommended to replace the complete set.

FROM THE PARTS DESK

New Holland has just transitioned into a new parts identification system.

At the moment they are in the process of setting up a new customer parts identification program so the link that was on our website has been temporarily removed. We will notify you when it will be back up and running again.

As with all new systems they sometimes take a little while to grasp. Please bare with us as we familiarise ourselves. We, as always, will endeavor help you as quickly as possible.

Laura and Andrew

USED MACHINERY LISTING



NH T8040



NH TG230



GASON 5100



NH T8010



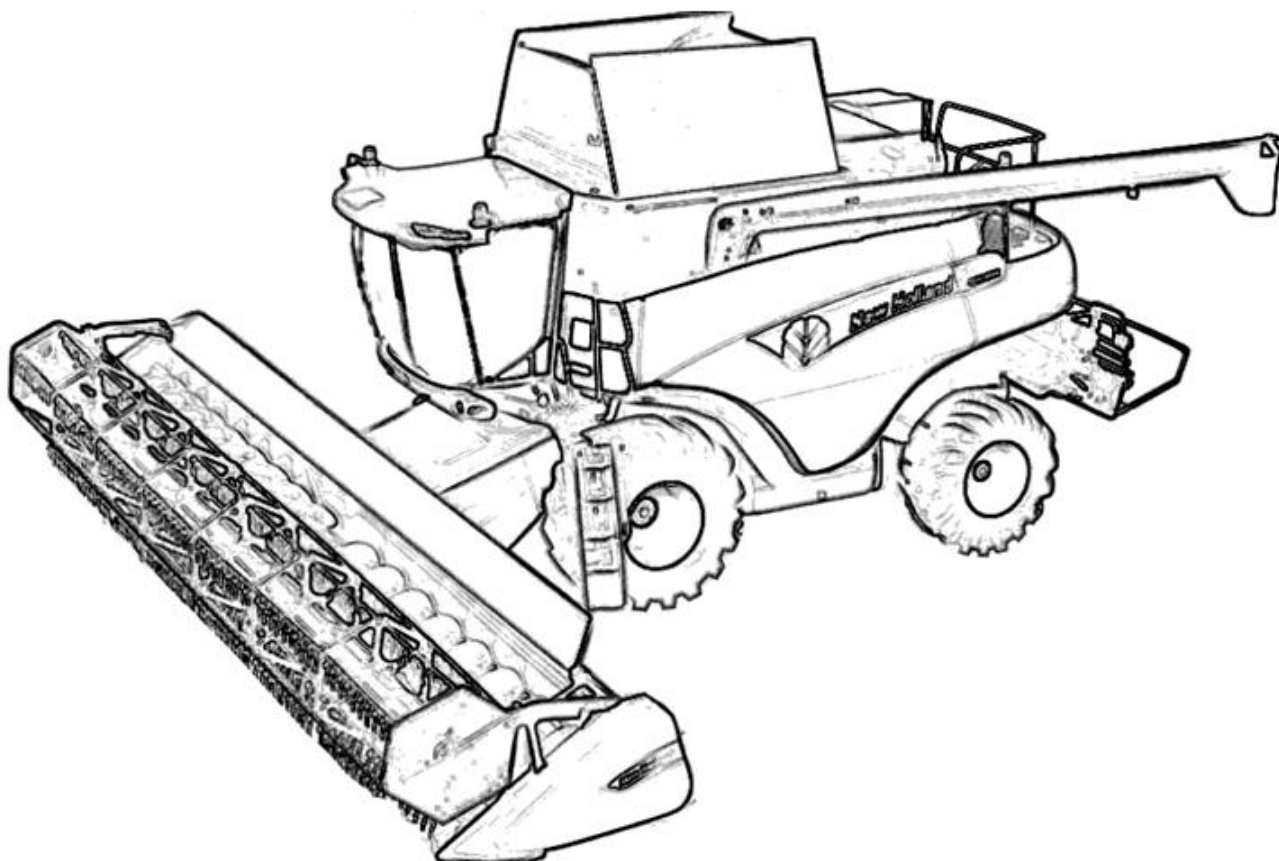
SIMPLICITY ALLROUNDER

Visit www.swanfm.com.au for more used deals and more information.



SWAN FARM MACHINERY

SCHOOL HOLIDAY FUN COLOURING IN COMPETITION



Colour in the Header and return to Swan Farm Machinery by January 31, 2013 for your chance to win a New Holland Toy.

There will be a prize awarded to one entry from each of the following age groups:

- Under 4 years
- 4 years to 7 years
- 8 years to 12 years

Goodluck!

Name: _____

Age: _____

Email: _____

Phone: _____